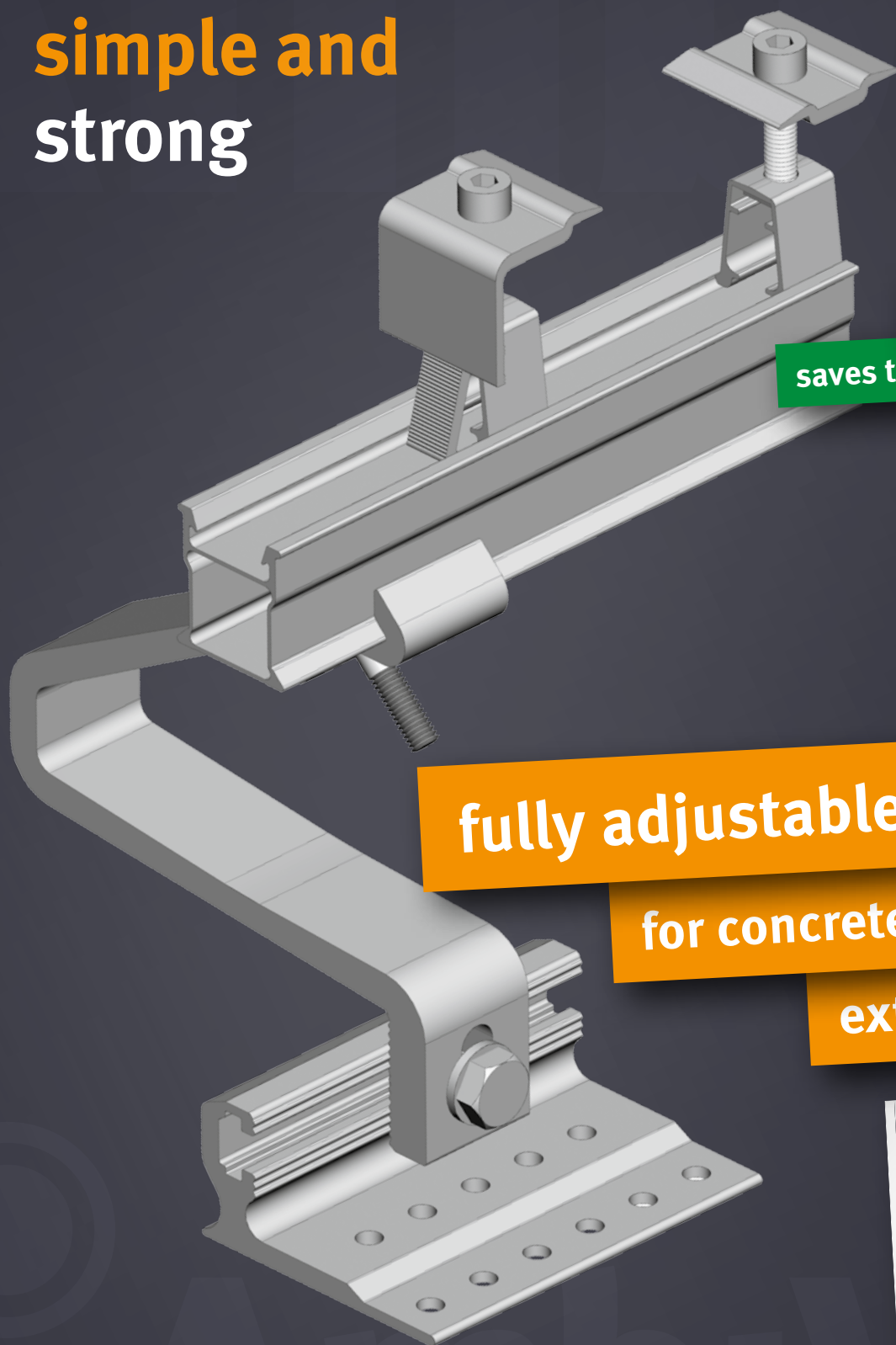




AMBIHOOK

**simple and
strong**

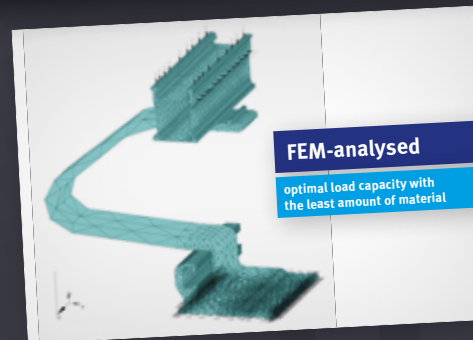


with EasyClick clamp
saves time, energy and stress

fully adjustable roof hooks

for concrete and clay tiles

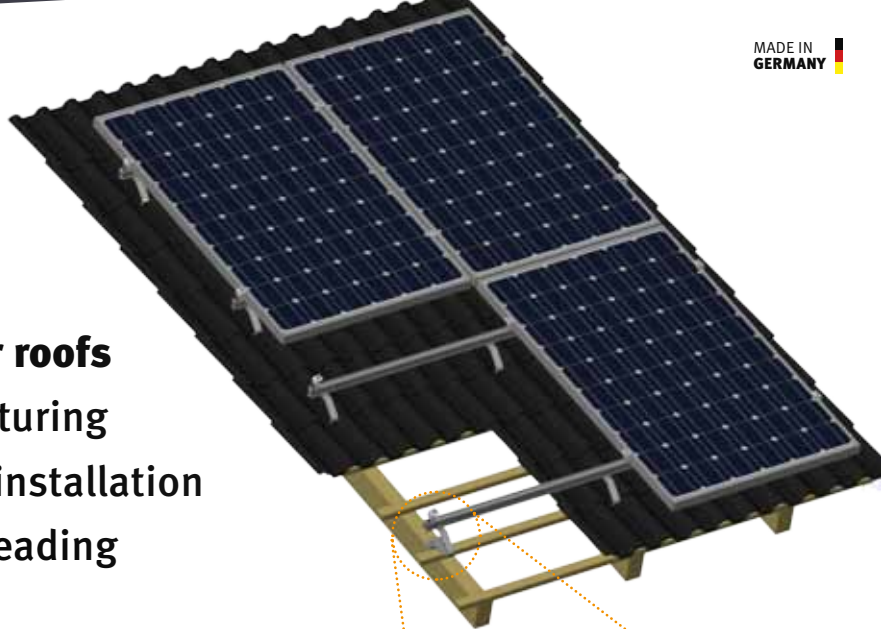
extremely robust



AMBIHOOK

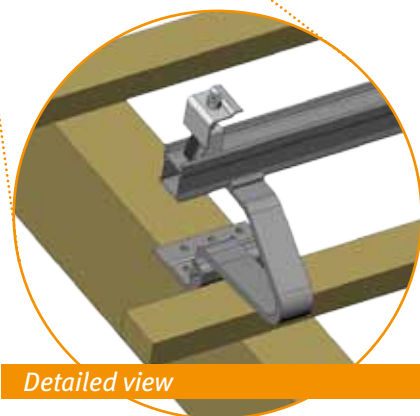
PRODUCT SHEET

A versatile **roof hook system for roofs with concrete and clay tiles** featuring the **EasyClick system** for direct installation from above, without tedious threading



FEATURES

- Made from 6060 T66 aluminium and 6083 aluminium, the AmbiHook has a high load capacity and shows only minimal elastic deformation under load
- The rails are attached to the AmbiHook from above using a simple locking screw system with short connector units for rail interlocks
- The AmbiHook and EasyClick clamps have been optimised using FEM analysis for high load capacity with the lowest possible amount of material and weight
- The EasyClick clamp rotates into the rail from the side with very little effort, ensuring easy and convenient installation



Detailed view

EASYCLICK CLAMPS

The EasyClick middle and end clamps can be set up for either 26-44 mm or 34-52 mm module frame height, and they click into place with a minimum of physical effort

TOOLS REQUIRED

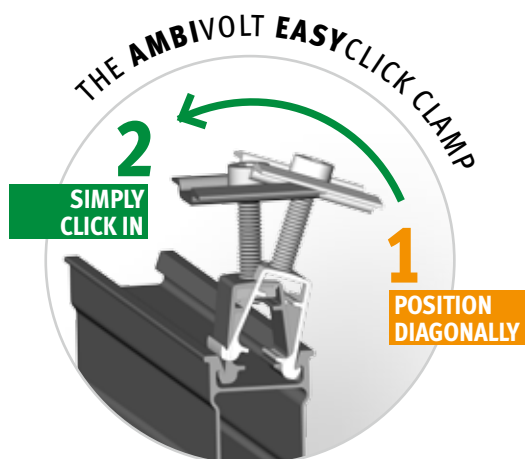
- 6 mm Allen key
- also available for Torx T30 keys
- Cordless screwdriver
- Open-ended wrench *where necessary*

* According to our warranty conditions, subject to changes (including technical changes) without notice.



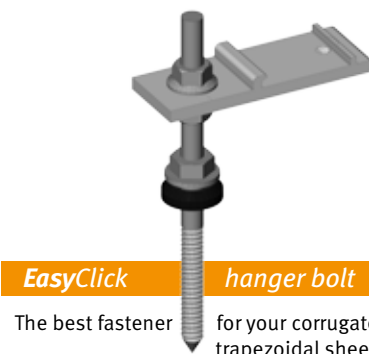
AmbiHook Double - for extra strength

Suitable even in alpine regions thanks to its extremely high load capacity



EasyClick end clamp

Continuously height-adjustable



EasyClick hanger bolt

The best fastener for your corrugated or trapezoidal sheeting